

Security recessed toilet tissue roll holder:

Model SA12 – Front Mounted

Product Materials

FLANGE: 14 gauge stainless steel with exposed surfaces in bead-blasted satin finish. Flange is welded to holder to ensure a tight fit to wall surface.

HOLDER: 16 gauge stainless steel with exposed surfaces in bead-blasted satin finish. One-piece drawn, seamless construction.

Capacity

One standard roll of toilet tissue up to 5-3/8" diameter.

Installation

Verify all rough-in dimensions prior to installation. Requires circular rough wall opening 5-3/4" diameter x 4-1/4"D. Unit supplied with 1/4" - 20 x 1" T27 torx head machine screws for installation to wall anchors (not included).

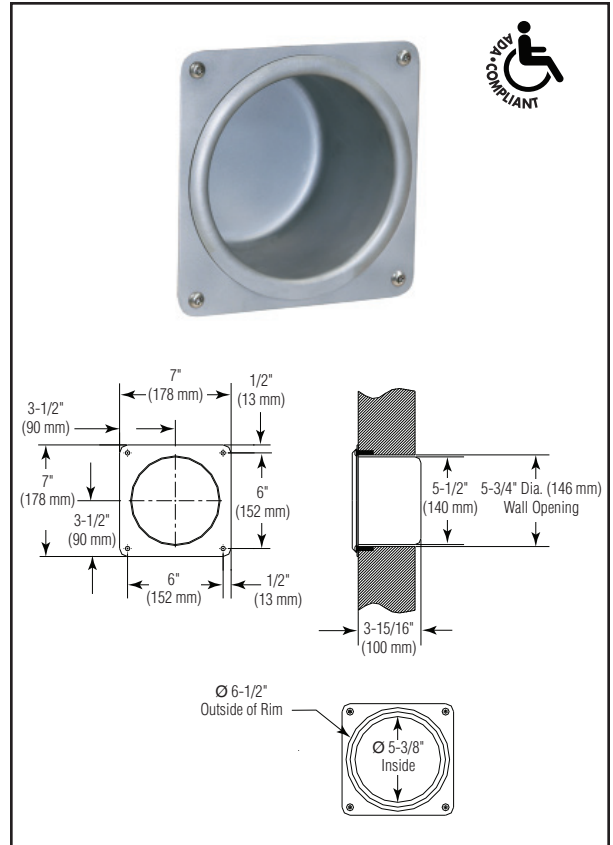
Guide Specification

Recessed security toilet tissue roll holder shall be fabricated of stainless steel with exposed surfaces in bead-blasted satin finish. Flange shall be constructed of 14 gauge stainless steel and shall be welded to holder. Holder shall be constructed of 16 gauge stainless steel and shall be one piece, drawn, seamless construction.

Overall dimensions: 7"W x 7"H x 4-1/2"D.

ADA Compliant

- Consult local and national accessibility codes for proper installation guidelines.
- Conformity and compliance to local and national codes is the responsibility of the installer.



**Washroom Accessories
Document No. 9202**